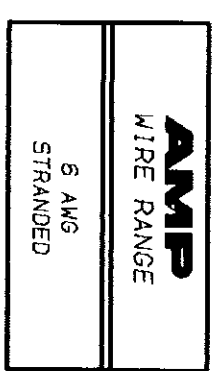


THIS DRAWING IS UNPUBLISHED. RELEASED FOR PUBLICATION BY AMP INCORPORATED. ALL INTERNATIONAL RIGHTS RESERVED. © COPYRIGHT 1993

LOC	DIST	P	F	ZONE	LTR	DESCRIPTION	DATE	APPD
G	14			G	EC	0720-0279-93	6-18-93	SSB BB

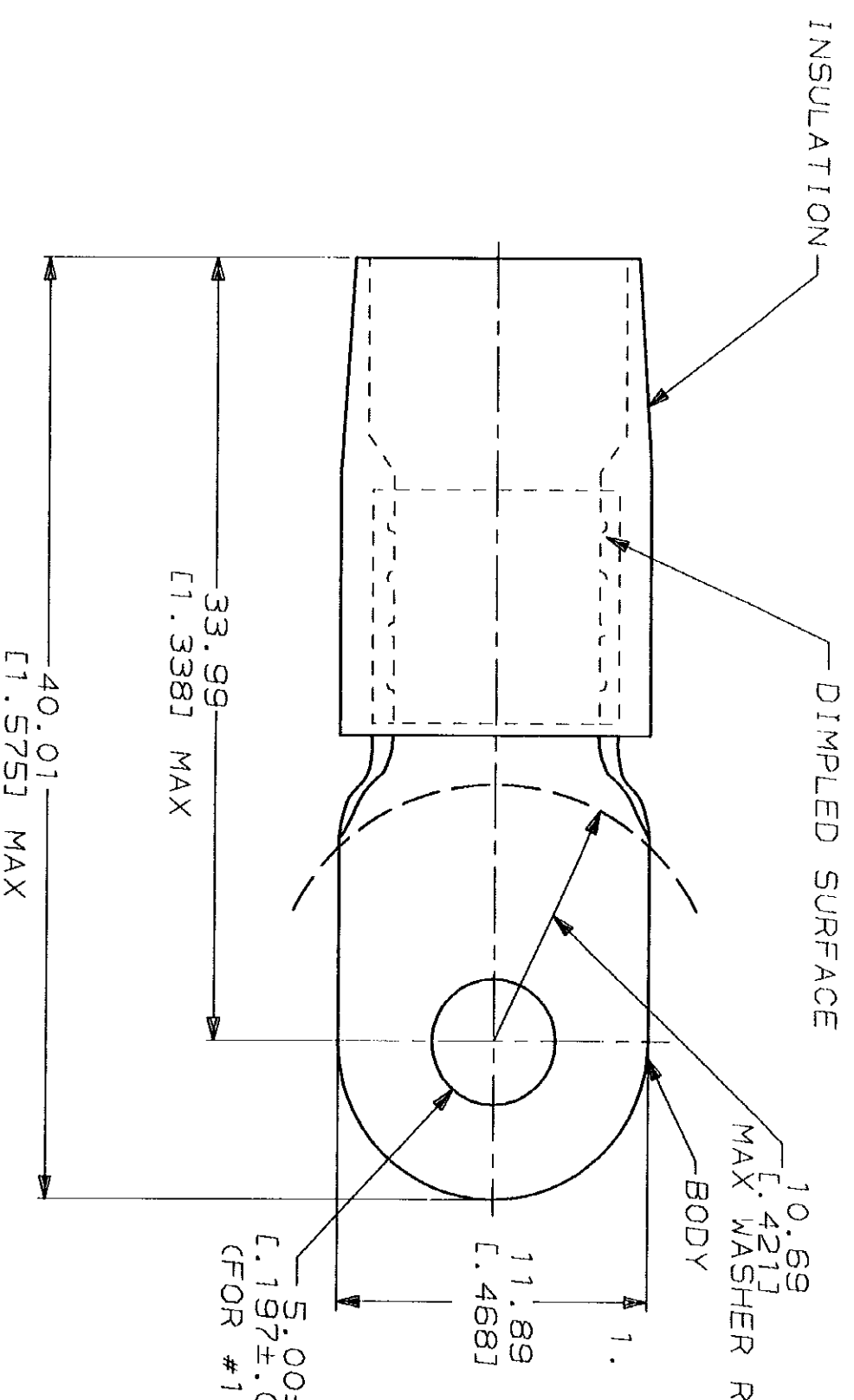
REVISIONS



**METRIOR**

DIMENSIONS LISTED IN MM [ INCHES ]

1. TONGUE MATERIAL THK 1.14±0.08 [ 0.045±.003 ]  
 FOR 7.98 [ 0.314 ] MAX WIRE INS DIA



AMP INCORPORATED  
 CUSTOMER SERVICE SYSTEMS

FOR ADDITIONAL PRODUCT INFORMATION OR COPIES OF DRAWINGS AND TECHNICAL DOCUMENTS	1-800-522-6752	PRODUCT INFORMATION CENTER
FOR APPLICATION TOOLING INFORMATION	1-800-722-1111	TOOLING ASSISTANCE CENTER
FOR ORDER ENTRY	1-800-526-5142	

MAX RECOMMENDED OPERATING TEMPERATURE: 105°C  
 VOLTAGE RATING: -  
 CIRCULAR MIL AREA: 10.5-16.8mm² [ 20,800-33,100 ] STRANDED

MS25036-119  
 CLASS 2

MILITARY P/N AND CLASS

DO NOT SCALE PRINT. UNLESS SPECIFIED OTHERWISE, DIMENSIONS IN MILLIMETERS. TOLERANCES ON:  
 2 PLC DEC # 0.20 [ 0.008 ]  
 3 PLC DEC # -  
 ANGLES -

MATERIAL: COPPER PER ASTM B-152 NYLON (MIL-M-20693) TYPE 1 COLOR: BLUE  
 FINISH: TIN PLATE PER MIL-T-10727

DR 6-18-93 S.S. SOULDEN  
 CHK 6-18-93 R. HERSEY  
 APPD 6-18-93 B. BARE

LOOSE PC 324046  
 PACKAGE TYPE PART NO

**AMP** AMP Incorporated  
 Harrisburg, PA 17105-3608

TERMINAL, RING TONGUE, TERMINYL  
 WIRE SIZE: 6 AWG

SIZE	CAGE CODE	DRAWING NO
B	00779	G-324046
SCALE	NTS	SHEET 1 OF 1

CUSTOMER DRAWING